

INTERNAL STRUCTURE
PA-758 (R 1/4)

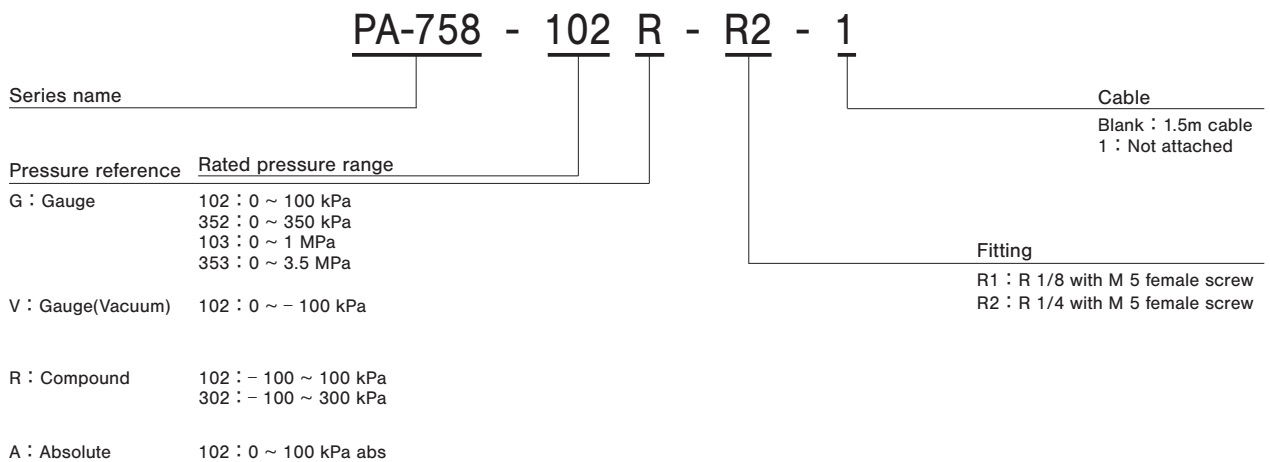
The diagram shows a cross-section of the transducer. Part 1 is the fitting, part 2 is the housing, and part 3 is the stainless steel diaphragm.

Part name		Material
①	Fitting	SUS 304
②	Housing	PPS
③	Stainless steel diaphragm	SUS 316L

FEATURES

- High corrosion resistance and drip-proof construction
Pressure port attachment made of SUS 316L
Proven IP65 grade gauge body (IP-65 in accordance with IEC)
- Cable connector connection
- Built-in temperature compensation function (0 ~ 50°C)
- Absolute pressure type and compound pressure type which can control negative to positive pressure with only a single pressure gauge are all in line
- Current output mode

MODEL NUMBER DESIGNATION



※ Please refer to the LIST OF MODEL NUMBERS when placing orders.

PA-758

PRESSURE TRANSDUCERS WITH AMP.

LIST OF MODEL NUMBERS

Fitting	Pressure reference		Gauge						Absolute	
	Cable	Rated pressure range	0 ~ 100	0 ~ 350	0 ~ 1000	0 ~ 3500	0 ~ - 100	- 100 ~ 100	- 100 ~ 300	0 ~ 100 (abs)
R1	Attached		PA-758- ③ 102G-R1	PA-758- ③ 352G-R1	PA-758- 103G-R1	PA-758- 353G-R1	PA-758- ③ 102V-R1	PA-758- 102R-R1	PA-758- 302R-R1	PA-758- 102A-R1
	Not attached		PA-758- ③ 102G-R1-1	PA-758- ③ 352G-R1-1	PA-758- 103G-R1-1	PA-758- 353G-R1-1	PA-758- ③ 102V-R1-1	PA-758- 102R-R1-1	PA-758- 302R-R1-1	PA-758- 102A-R1-1
R2	Attached		PA-758- ③ 102G-R2	PA-758- ③ 352G-R2	PA-758- 103G-R2	PA-758- 353G-R2	PA-758- ③ 102V-R2	PA-758- 102R-R2	PA-758- 302R-R2	PA-758- 102A-R2
	Not attached		PA-758- ③ 102G-R2-1	PA-758- ③ 352G-R2-1	PA-758- 103G-R2-1	PA-758- 353G-R2-1	PA-758- ③ 102V-R2-1	PA-758- 102R-R2-1	PA-758- 302R-R2-1	PA-758- 102A-R2-1

※ Verify the above model numbers when placing orders.
The products marked ③ are manufactured upon receipt of order basis.

STANDARD SPECIFICATIONS

● Unless otherwise specified, the specs are defined at an ambient temperature of 25 ± 5 °C and excitation voltage of 24 V DC, load resistance of 250 Ω .

Item	Model number	PA-758								
		102G	352G	103G	353G	102V	102R	302R	102A	
General specifications	Pressure reference	Gauge								Absolute
	Rated pressure range	kPa	100	350	1000	3500	- 100	- 100 ~ 100	- 100 ~ 300	100 (abs)
	Maximum pressure	kPa	200	700	2000	5000	200	200	600	200 (abs)
	Break-down pressure	kPa	300	1050	3000	7000	300	300	900	300 (abs)
	Operating temp. range	°C	- 20 ~ 70							
	Compensated temp. range	°C	0 ~ 50							
	Operating humidity	%RH	35 ~ 85 (No condensation)							
	Storage temp.	°C	- 20 ~ 80 (Atmospheric pressure, humidity 65 %RH maximum)							
	Pressure medium		Corrosive gases/liquids compatible with SUS316L and SUS304							
	Insulation resistance	MΩ minimum	100 (500 V DC)							
	Dielectric strength		500 V AC, 60 s (Leakage current 1 mA maximum)							
	Sealed liquid		Silicone oil							
	Pressure port		R 1/8、 R 1/4							
	Net weight	g	R2 : Approx. 50							
Drip-proof structure		IP65								
Power	Supply voltage	V DC	24 ± 10 % (Including ripple percentage)							

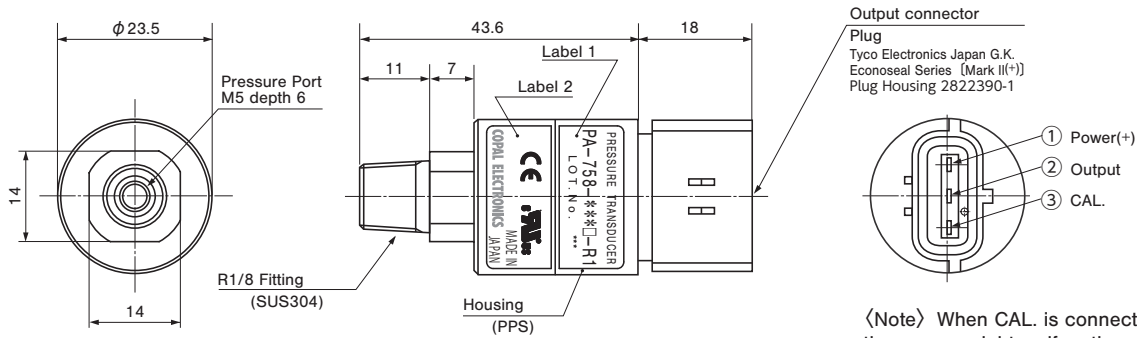
PA-758

PRESSURE TRANSDUCERS WITH AMP.

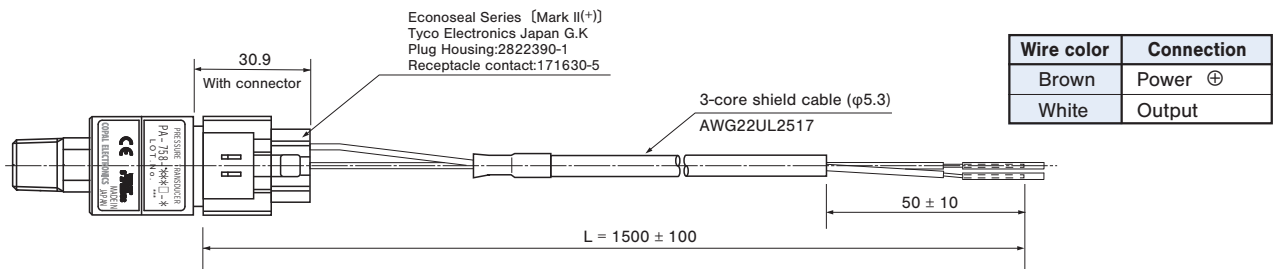
OUTLINE DIMENSIONS

Unless otherwise specified, tolerance : 0.5 (Unit: mm)

Configurations of joint R1 (R1/8) type

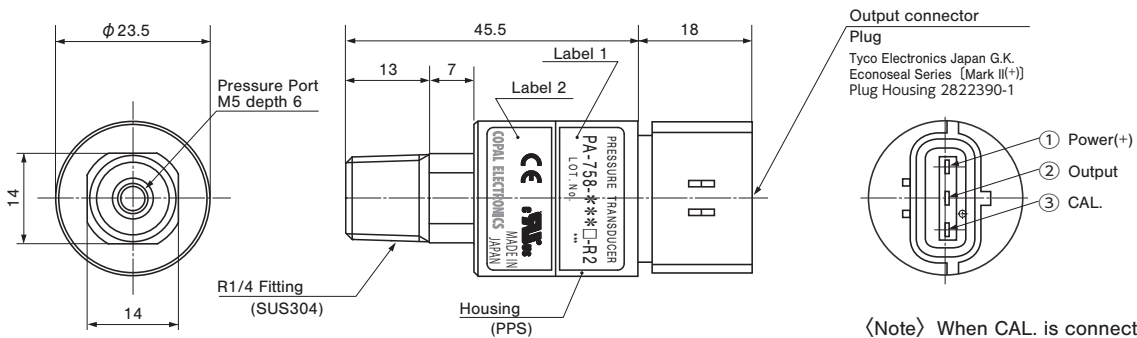


〈Note〉 When CAL. is connected, the main unit of the sensor might malfunction or be damaged.



Wire color	Connection
Brown	Power ⊕
White	Output

Configurations of joint R2 (R1/4) type



〈Note〉 When CAL. is connected, the main unit of the sensor might malfunction or be damaged.

PA-758 PRESSURE TRANSDUCERS WITH AMP.

CUSTOMIZATION

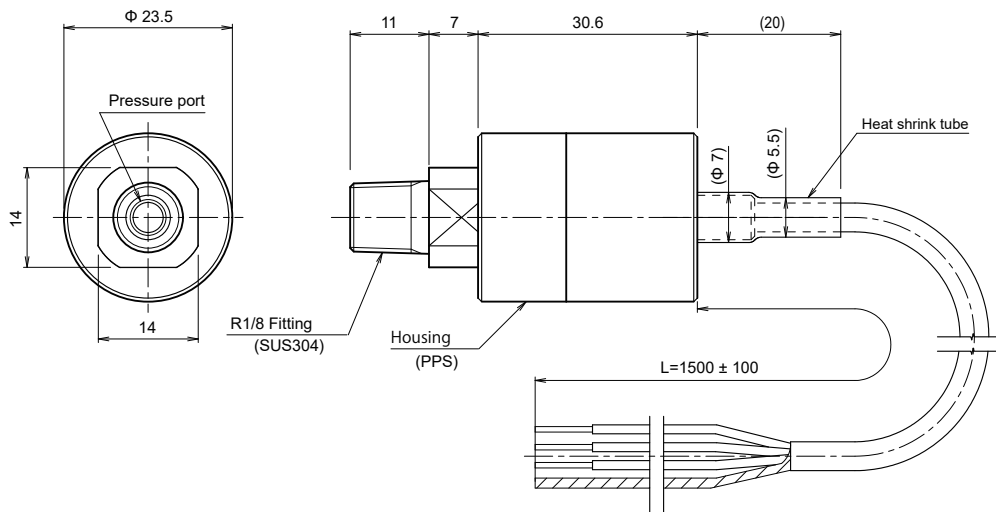
We also offer customized solutions. Please contact your local sales office for details.

Example of customizations
Available with cable assembly (standard length:1.5m)
Customized pressure range 402A(0~400kPa abs)*for sterilizer use
5V operation
Customized joint (7/16-20UNF Male/Female screw etc.)

AVAILABLE WITH CABLE ASSEMBLY : REFERENCE DRAWING

Unless otherwise specified, tolerance : ± 0.5 (Unit: mm)

Configurations of joint R1 (R1/8) type



Configurations of joint R2 (R1/4) type

