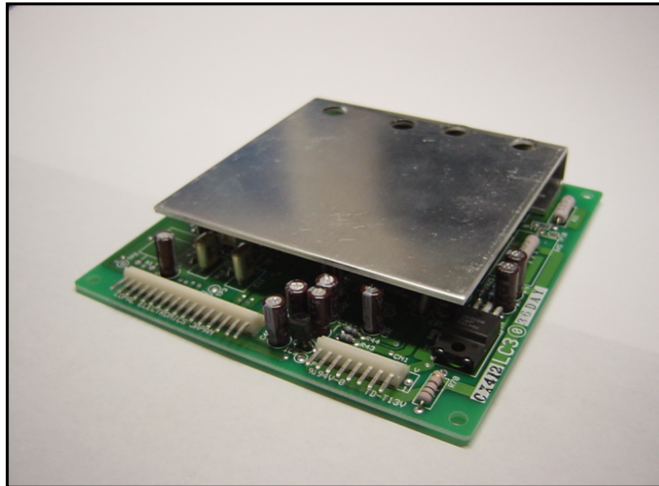


## DRIVER LC (with power Tr)

■ For model PD60LA,PD60HR

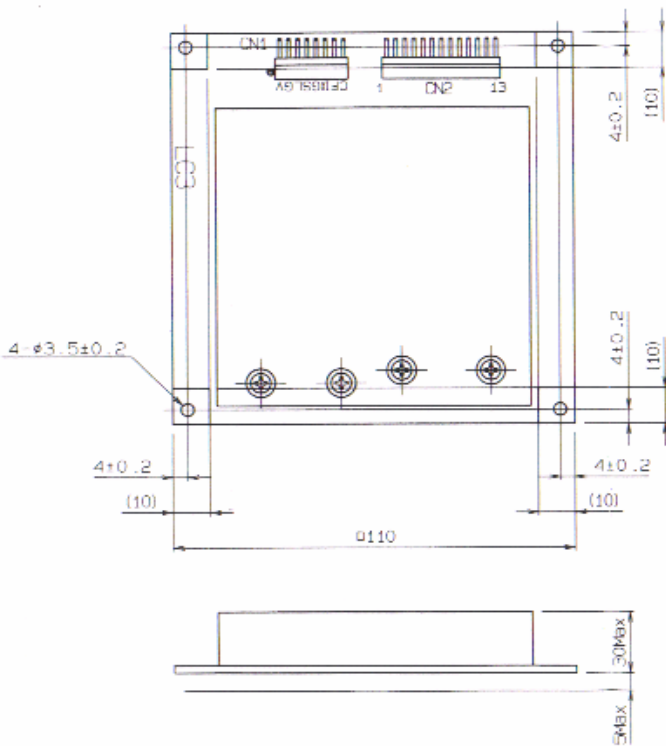


### ■ INTERFACE SPECIFICATION

(DRIVER FOR CN1 : BS7P-SHF-1AA,MADE BY J. S. T)

Pin No	MARK	FUNCTION	REMARKS
1	V	+24V	+24V DC ±10%
2	G	GND	GROUND
3	L	LOCKED	WHEN SYNCHRONIZED, IT GOES TO "L" OPEN COLLECTOR OUTPUT SYNCHRONIZED : LOW LEVEL LOW LEVEL : 0.8(V)MAX SINK CURRENT : 10(mA)MAX VOLTAGE APPLIED : 25(V)MAX
4	S	START/STOP	L:START H:STOP OPEN COLLECTOR INPUT) START:LOW LEVEL LOW LEVEL:0.8(V)MAX.(Vce (sat)=0.8V MAX) SOURCE CURRENT : 2.0(mA)MAX STOP : HIGH LEVEL OR OPEN HIGH LEVEL:ABOUT 3.25(V)
5	G	GND	GROUND
6	IX	INDEX	INDEX PULSE OUTPUT OPEN COLLECTOR OUTPUT VOLTAGE APPLIED : 9(V)MAX SINK CURRENT : 10(mA)MAX
7	F	N.C.	N.C.
8	C	EXT. CLK	EXTERNAL CLOCK INPUT OPEN COLLECTOR OUTPUT LOW LEVEL : 0.8(V)MAX.(Vce (sat)=0.8V MAX) SOURCE CURRENT : 5.0(mA)MAX HIGH LEVEL:ABOUT 4.7(V) INPUT SIGNAL DUTY RATIO : 50%±10% THE FORMULA FOR EXTERNAL CLOCK FREQUENCY $f(\text{Hz}) = N(r/\text{min}) \times 20/60$

### ■ DIMENSIONS OF DRIVER LC



#### Notes

1. CN1: Interface connector (JST: BSBP-SHF-1AA)
2. CN2: Motor connector (JST: BS13P-SHF-1AA)
3. Unless otherwise specified, tolerances: ±0.5
4. Unit: in mm

CN1 (BSBP-SHF-1AA) interface -			
Pin No.	Symbol	Signal	Remarks
1	V	+24V	
2	G	GND	
3	I	LOCKED	OPEN COLLECTOR
4	S	START/STOP	L: START
5	G	GND	
6	IX	N.C.	NON CONNECT
7	F	N.C.	NON CONNECT
8	C	EXT. CLK.	