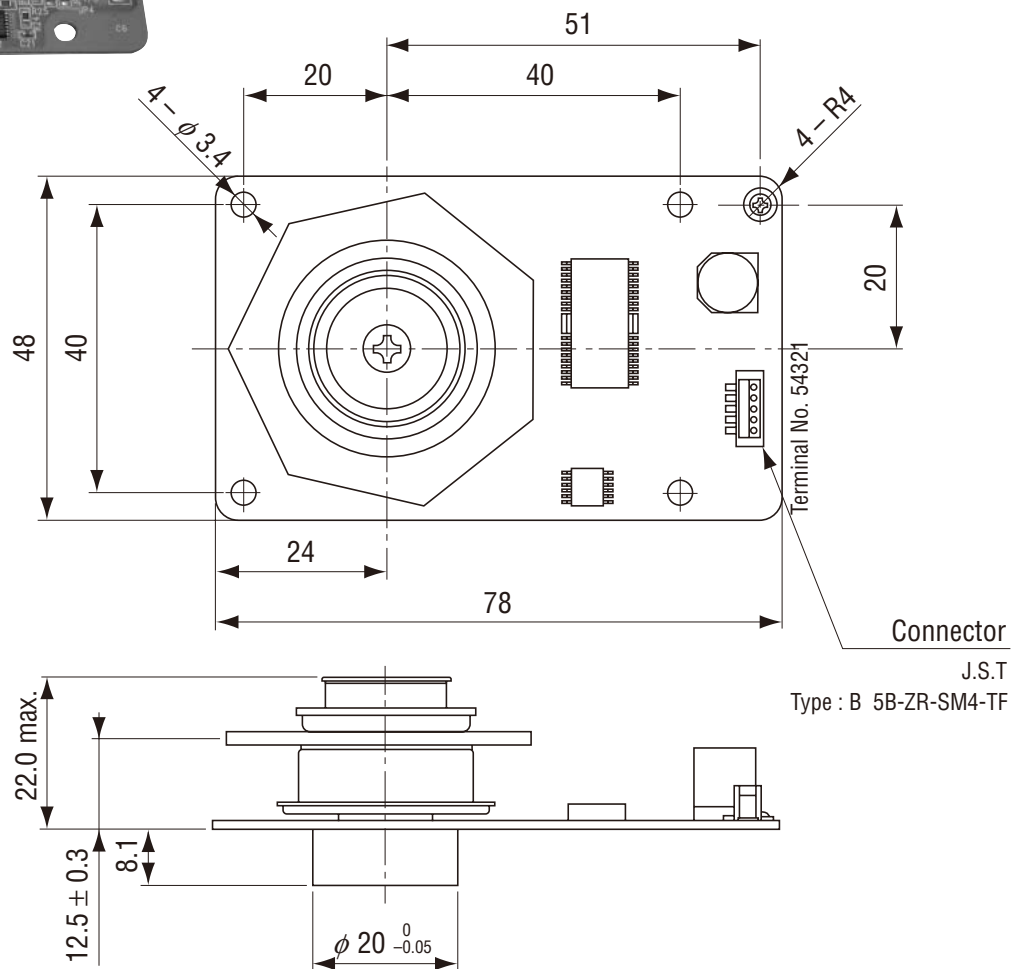
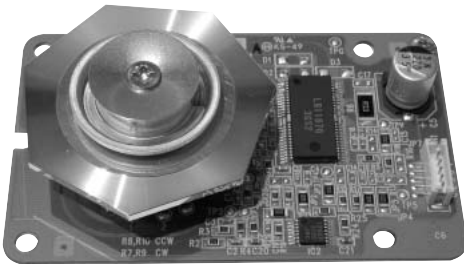


PTC30ERG
POLYGON LASER SCANNERS

TYPICAL OUTLINE DIMENSIONS (SCANNER ASSEMBLY)

Unless otherwise specified, tolerance : ± 0.5 (Unit : mm)

PTC30ERG



POLYGON LASER SCANNERS listed here are typical value. All our production will be made upon receipt of your order. Please contact your sales agent for details.