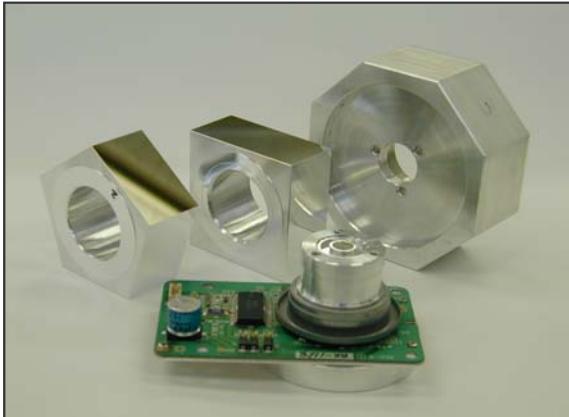


PD40ERB POLYGON LASER SCANNER

PD40ERB



■ Application

- Bar Code Reader

■ Feature

- Compact Size
- Long Life
- A Large- sized mirror Loading

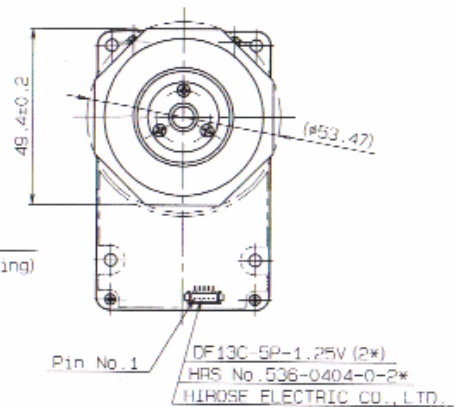
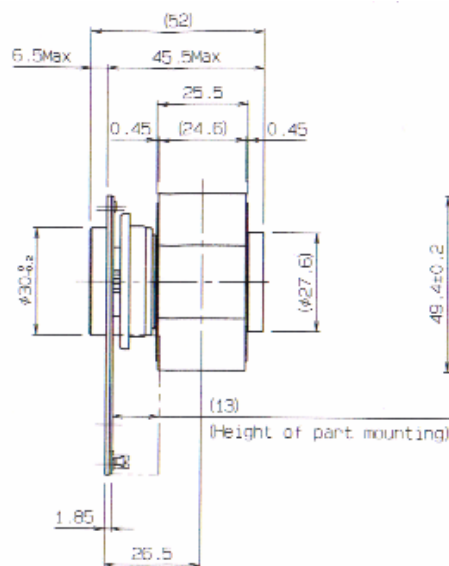
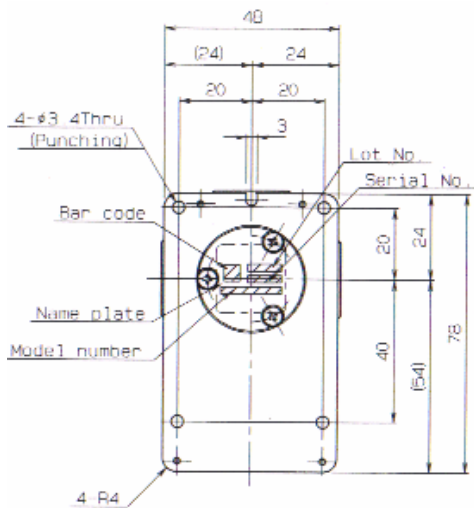
■ SPECIFICATIONS

No	ITEMS	SPECIFICATION	REMARKS
1	Model Number	PD40ERB	Custom Model
2	Bearing Type	Ball	
3	Supply Voltage	24V(12V)	
4	Rotational Speed	5,000~7,000 r/min	
5	Direction of Rotation	CW or CCW	Top View
6	Mirror Size Range	40mm~70mm(t=30mm) inscribed dia	
7	Mirror Facet	6~12	
8	Flatness	$\lambda / 2$	$\lambda = 632.8\text{nm}$
9	Reflectivity	85% min at Incident Angle at 30deg	$\lambda = 780\text{nm}$ S-Polarization
10	Lifetime	20,000 hours	Room temp (25°C)

PD40ERB POLYGON LASER SCANNER

PD40ERB

■ TYPICAL OUTLINE DIMENSIONS (SCANNER ASSEMBLY)



DNI Connector (DF13C-5P-1.25V (2*)) interface			
Pin No.	Color	Signal	Remarks
1	V	+12V	12%V
2	G	GND	
3	S	START/STOP	L: START
4	L	LOCKED	OPEN COLLECTOR
5	C	EXT. CLOCK	

Notes

1. General tolerances: ±0.5.