

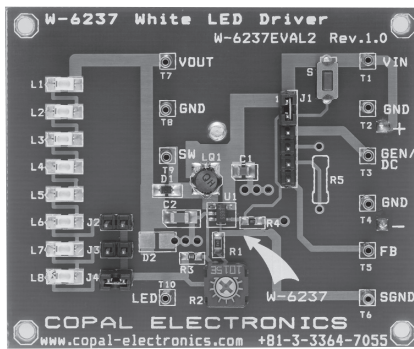
EVALUATION BOARDS

Below are the evaluation boards and demonstration boards that enable the evaluation of various devices in your design phase.

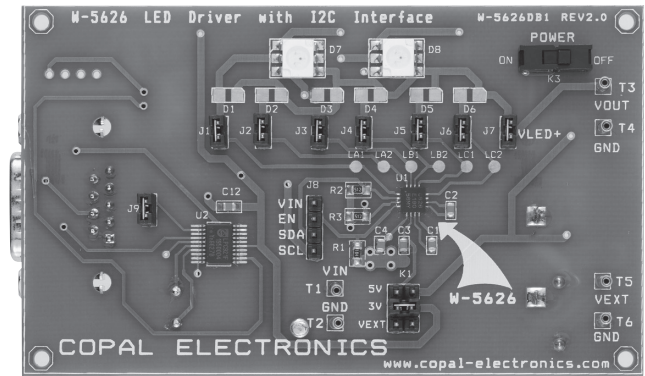
By using these boards, the time that our customers spend on development evaluations may be shortened.

Evaluation boards

W-6237EVAL2



W-5626DB1



Application Notes, Design Notes

No.	Title
AN14	W-52 Evaluation board for white LED drivers W-52EVAL1
AN24	W-6237 Evaluation board for high voltage white LED drivers : W-6237EVAL2
AN26	W-6137 Evaluation board for white LED drivers : W-6137EVAL1
AN30	W-5626 Evaluation and demo board for 6-channel LED drivers : W-5626DB1
AN32	W-6238 Evaluation board for 10-LED boost converter : W-6238EVAL1
DN9	W-52 White LED Driver Efficiency and Inductor value Tradeoffs