

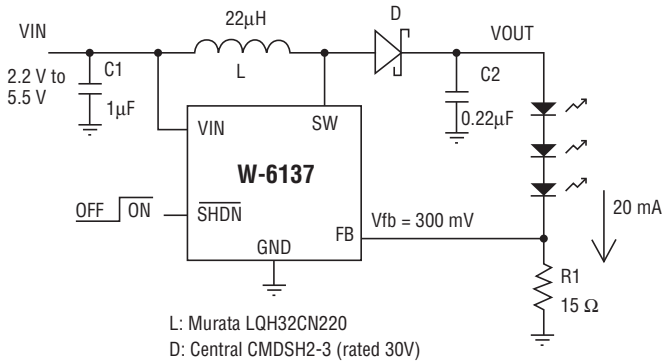
BASIC CIRCUITRY METHOD AND FEATURES

WHITE LED DRIVERS

■ 応用回路例 Example of application in circuitry

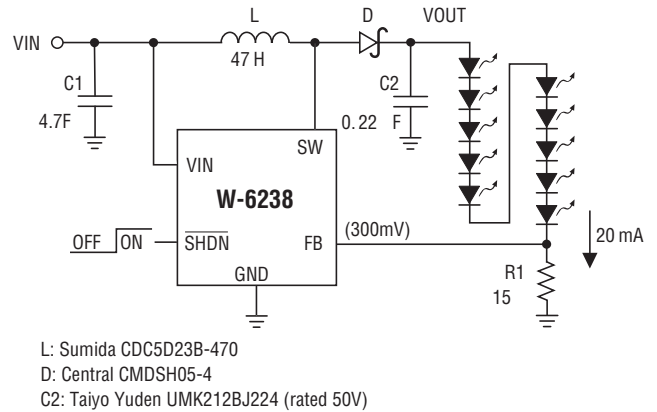
● W-6137

最大 5 個の高輝度白色 LED 用のドライバー
Driver to Five (Max.) High-Brightness white LEDs

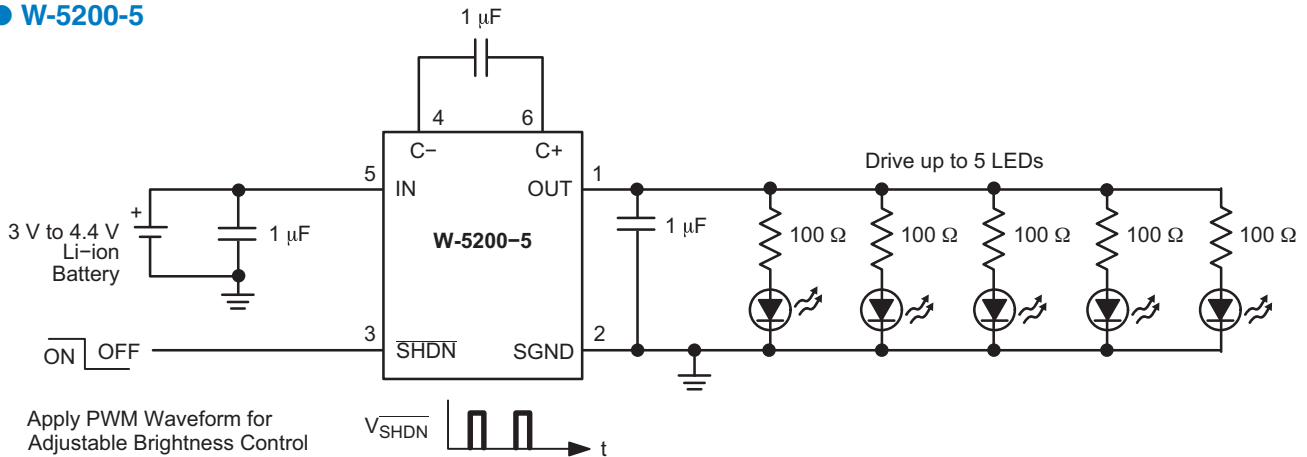


● W-6238

最大 10 個の高輝度白色 LED 用のドライバー
Driver to Ten (Max.) High-Brightness white LEDs



● W-5200-5



● W-5626

6 個の高輝度白色 LED 用のドライバー (I2C 制御)

Driver to Six High-Brightness White LEDs (I2C control)

